

Content: [Short description / Technical data \(Page 1\)](#)
[Configuration help \(Page 2\)](#)
[Additional Information / Connection diagram \(Page 3 & 4\)](#)

Different shapes, installation depths and plug-in connections mean that the CHT3 series is suitable for a wide range of uses.

The CHT3-F series has been developed for mounting in front plates. The sensor element is inserted into the front plate from the front and fastened from the back by means of a locking ring (locking ring included in delivery).

Please note that the front plate may have a thickness of max. 4.5mm so that the CHT3-F SENSORswitch can be mounted.

The customer can choose from a wide range of available symbols for the switch surface (symbol list: [Link](#)). In addition to the optical feedback by 16 bright LEDs, the SENSORswitches can be ordered with a tactile feedback by vibration.

This series is mainly used in industrial automation and building technology.

Please find below the most important features listed:

- Ø 50 mm total diameter
- Front plate mounting with locking ring
- Ø 48 – 48,5 mm mounting hole
- 3,3mm height
- Customization through symbols
- Optional: Tactile feedback (Vibration)

CAPTRON can provide individual advice to enable you to choose the perfect product from the CHT3 series for the required specifications and applications.

Please contact us:

Phone: +49 (0)8142 / 44 88 – 160
 E-Mail: sales@captron.com



Technical data at 24 V and 20 °C:			
Supply voltage:	DC 24V DC (16,8 ... 32V)	Short-circuit protection:	Short-circuit and overload protection
Load current:	Max. 400 mA	Voltage drop:	max. 3 V at 400 mA
Output:	PNP-NO (<i>NPN-NO optional</i>)	Operation temperature:	max. 30 mA at 24V DC
Output signal:	approx. 300ms (Option „Dynamic“)	Operation temperature:	-30 ... +80°C (Dynamic)
	Permanent signal (Option „Static“)		0 ... + 55°C (Static)
LED 1:	8 green LEDs	Degree of protection (IP):	Frontside IP69K
LED 2:	8 red LEDs	Type of operation:	Capacitive
Reverse polarity protection:	Protection of all lines	Operation force:	No operation force required



Configuration help CHT3-F (Front plate mounting)

Type code 1 – with output signal Dynamic ¹:

CHT3	-	C1	C2	C3	C4	O1	-	C5	/	-	C6
<i>Example: CHT3 - F 5 X P - H / TG - SR</i>											

Type code 2 – with output signal Static ¹:

CHT3	-	C1	C2	C3	C4	O1	-	C5	/	-	C6	/	ST
------	---	-----------	-----------	-----------	-----------	-----------	---	-----------	---	---	-----------	---	----

C1 – Mounting ²

Code	Description
F	Front plate mounting
-	-
-	-
-	-
-	-
-	-

C2 – Type of connection ⁴

Code	Description
1	Cable + connector AMP 6,3 (Pin-assignment: 1-2-4-3) *
4	Cable + connector AMP 6,3 (Pin-assignment: 1-4-2-3) *
5	Connector M8
6	Connector JST
7	Single strands 200mm with ferrules
8	Connector M12

* only available with the LED function "Semi-Automatic (4-pin)"!

C3 – Colour of the coloured cover ring

Code	Description
X	Without coloured cover ring (front plate mounting)
-	-
-	-
-	-
-	-
-	-

C4 – LED control ³ / Numbers of pins / Output

Code	Description
P	Semi-Automatic / 4-pin / PNP-NO
B	Manual / 5-pin / PNP-NO
N	Semi-Automatic / 4-pin / NPN-NO *
-	-
-	-
-	-

* currently only available with connection type "5 - connector M8"!

O1 – Option 1 / Acoustic and tactile feedback

Code	Description
S	Acoustic feedback (signal tone)
V	Tactile feedback (vibration) *
SV	Acoustic + tactile feedback *

* only available with connection type „7 – single strands“ (LED control „P“ / „B – Manual“) or „5 – connector M8“ (LED control „P - Semi-Automatic“)

C5 – Symbol on switch surface

Code	Description
30	White surface
H	Hand (green on white)

For further symbols please see our Symbol list ([Link](#))*

 * all symbols marked as „Standard“ are already available from 1 pieces / order up without any surcharge.

C6 – LED colours (LED1 – LED2)

Code	Description
TG-SR	Green (LED1) / Red (LED2) - Standard
TG-YW	Green (LED1) / Yellow (LED2) *
BU-SR	Blue (LED1) / Red (LED2) *

* currently only available with the LED control "Semi-Automatic" as standard!

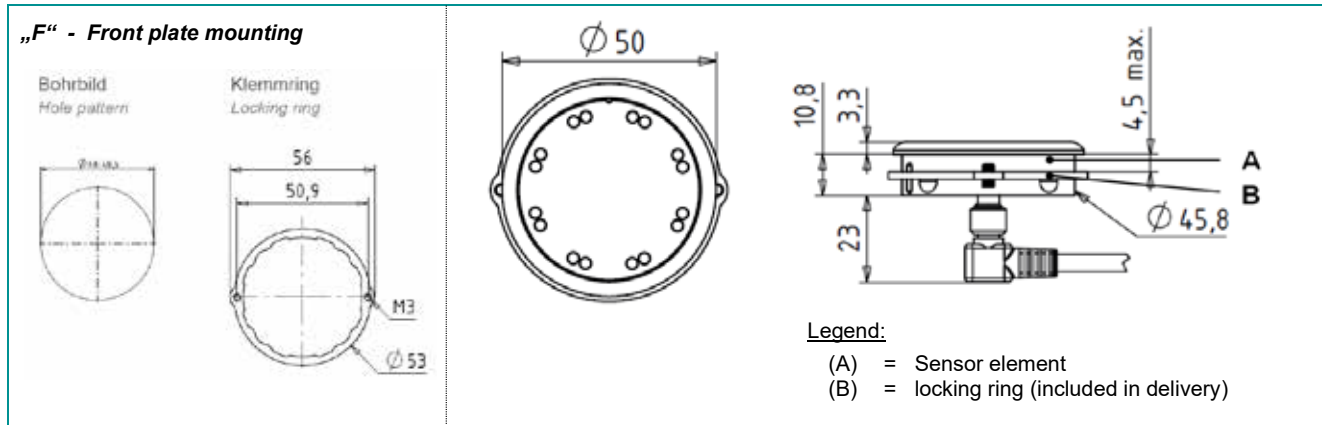
--- Please note the additional information and explanations on the following pages. Thank you! ---

Additional information & explanations on the previously described configuration items:

to ¹⁾:

- Output signal**
- **Dynamic:** The output signal is time-limited to 300ms, independent of the duration of actuation.
 - **Static:** The SENSORswitch switches as long as the button surface is touched (= permanent signal).

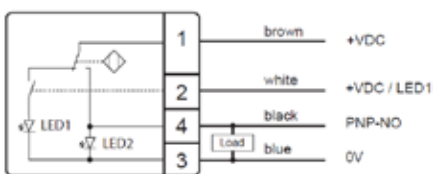
to ²⁾ / Mounting & dimensions



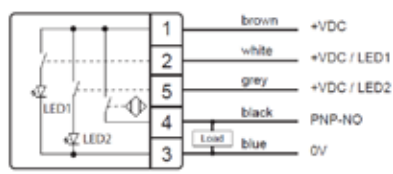
to ³⁾ / LED control & connection diagrams:

- LED-control**
- **Semi-Automatic (P / N):** LED1 (e.g. green / operating state) can be controlled separately. When the SENSORswitch is actuated, LED1 goes out and LED2 (e.g. red / switching state) lights up
 - **Manual (B):** Both LED1 and LED2 can be controlled separately as required.

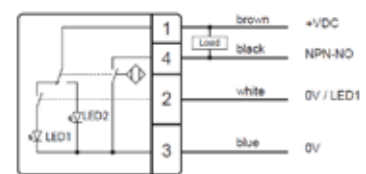
Connection diagram:



Connection diagram „P“
PNP-NO // Semi-Automatic



Connection diagram „B“
PNP-NO // Manual



Connection diagram „N“
NPN-NO // Semi-Automatic

--- PLEASE TURN OVER ---

to ⁴⁾ / **Types of connection:**

<p>Connector M8 („CHT3-5_...“)</p> <p>4-pin 5-pin</p>	<p>Connector JST („CHT3-6_...“)</p> <p>4-pin 5-pin</p>
<p>Connector AMP („CHT3-4_...“)</p> <p>4-pin 4-pin</p> <p>(„CHT3-1_...“)</p>	<p>Single strands 200mm („CHT3-7_...“)</p> <p>Single strands 200mm with ferrules (Wire end ferrules with plastic collar DIN 46228; wire cross-section strands 0.25 mm²)</p> <p>4-pin 5-pin</p>
<p>Connector M12 („CHT3-8_...“)</p> <p>4-pin 5-pin</p>	

You need support with the configuration?

Our internal sales team will be happy to advise you on this (Tel.: +49 (0)8142 / 44 88 – 160; sales@captron.com)

You need data sheets and/or 3D data?

Please also contact our internal sales department. Thank you.